

**SPECIFICATION**

**NEXLEDS**<sup>®</sup>  
NEXLEDS LTD



**VIDEO**



**LED Flood Light**

**Specification:**

Power	150W	100W	90W	70W	50W	30W	15W
Working Voltage	AC120-277V AC277-480V	AC120-277V AC120-347V	AC120-277V AC120-347V	AC120-277V AC120-347V	AC120-277V	AC120-277V	AC120-277V
LED Quantity	168	120	120	80/88	54	30	15
Lighting Efficiency	130LM/W				120LM/W		
Lamp Bead Model	LUMILEDS3030						
Certificates	UL						
Lighting Angle	80*110°						
Color Rendering Index	Ra>70 / Ra>80						
Working Temperature	-40 °F ~+113 °F						
Storage Temperature	-40 °F ~+158 °F						
Waterproof Rate	IP65						
Life span	>50000H						
Lamp shell	Black / Bronze						
Accessories options	Photocell						

## Product Feature:

### Delicate appearance design

Unique rectangular octagonal design endows NXSFL floodlight a sense of strength. Requirements of different customers can be met through professional optical lens. Black and bronze housing are both good choices according to clients' choices.

### Good heating dissipation

Using the material of ADC 12 aluminum alloy as radiator, the LED pin temperature does not exceed 65°C.

### Low light attenuation

Within 1000hrs, the light decay is less than 3%, while the traditional attenuation of incandescent lamp is at least 30%. It can light up to 8 years and is equipped with a 5-year warranty.

### High waterproof rate

Using structural waterproofing, NXSFL floodlight has a high waterproof rate of IP65 and is suitable for outdoor use.

### High consistency on lamp direction

Precise scale on the bracket ensures consistent mounting angle.

### User-friendly design, high installation efficiency, a variety of brackets for choice.

15-50W: Two brackets for choice, can not be interchangeable

70-150W: three brackets for choice, can be interchangeable.

## Product Dimension:

- X represents bracket type. 70-150W: X can be "S"=Slip-fitter,"K"=Knuckle,"Y"=Yoke; 15-50W:X can be "K"=Knuckle,"Y"=Yoke;
- XX represents the voltage, XX can be "HV"=High Voltage, "LV"=Low Voltage.
- XXX represents the Beam Angle, XXX can be "80\*110, 60, 90";
- XXX can be any number for color temperature: 40K, 50K, 57K ;
- (XXX) can be blank=no sensor function, " PTC "=Photo Control.

### 1 Non-dimming

NXSFL-100W-XXX-X-XXK(XXX)

NXSFL-90W-XXX-X-XXK(XXX)

NXSFL-70W-XXX-X-XXK

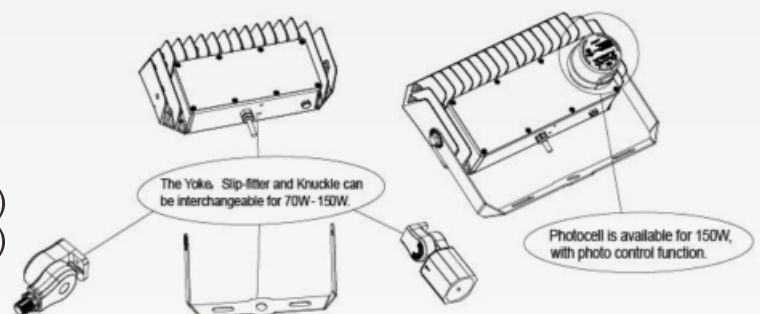
### Dimmable(1-10V)

NXSFL-150W-D-XXX-XX-X-XXK(XXX)

NXSFL-100W-D-XXX-XX-X-XXK(XXX)

NXSFL-90W-D-XXX-XX-X-XXK(XXX)

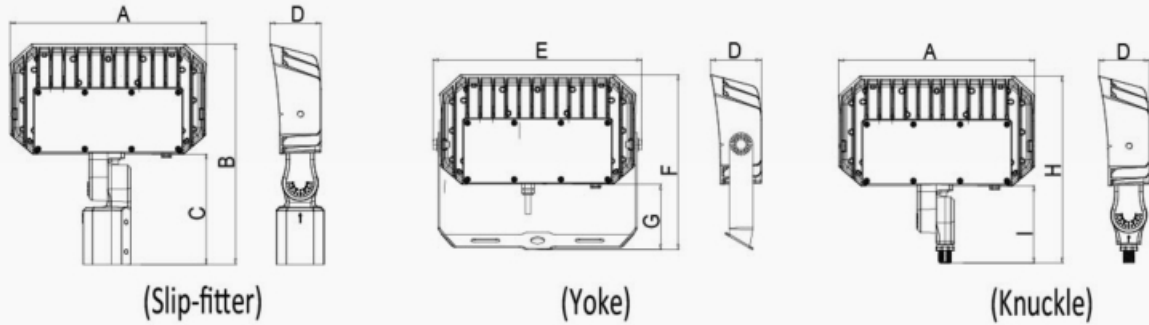
NXSFL-70W-D-XXX-XX-X-XXK(XXX)



# SPECIFICATION

# NEXLEDS®

NEXLEDS LTD



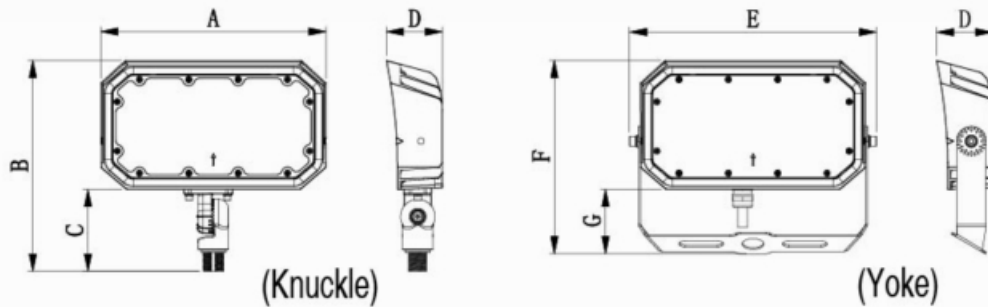
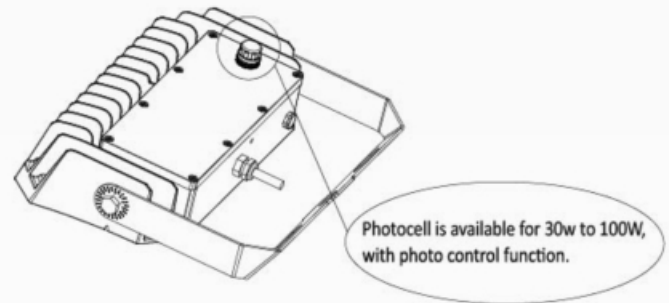
ITEM	A	B	C	D	E	F	G	H	I
NXSFLL-70W NXSFLL-90W NXSFLL-100W	12.2"	13.7"	6.9"	3.15"	13.4"	10.9"	4.1"	11.7"	4.8"
NXSFLL-150W	14.37"	14.5"	7.08"	3.27"	15.2"	11.48"	4.05"	12.44"	5.0"

## 2 Non-dimming

NXSFLL-50W-XXX-X-XXXK(XXX)  
 NXSFLL-30W-XXX-X-XXXK(XXX)  
 NXSFLL-15W-XXX-X-XXXK

## Dimmable(1-10V)

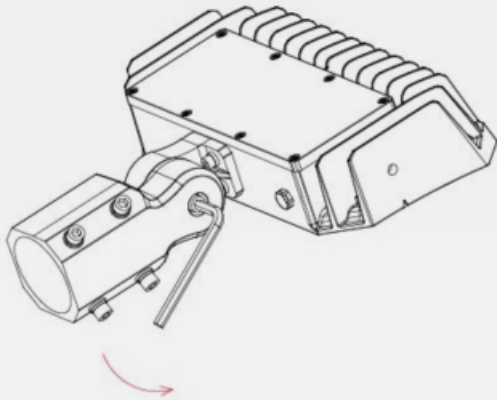
NXSFLL-50W-D-XXX-XX-X-XXXK(XXX)  
 NXSFLL-30W-D-XXX-XX-X-XXXK(XXX)



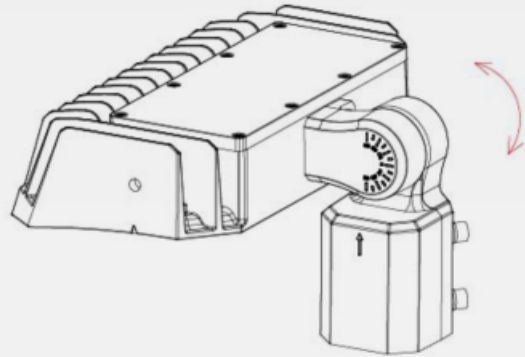
ITEM	A	B	C	D	E	F	G
NXSFLL-50W	9.0"	8.4"	2.2"	2.3"	9.8"	7.7"	2.6"
NXSFLL-30W	7.0"	7.2"	3.3"	2.0"	7.8"	6.5"	2.5"
NXSFLL-15W	5.1"	6.1"	3.3"	1.8"	5.7"	4.3"	1.5"

**Installation Instruction (Slip-fitter):**

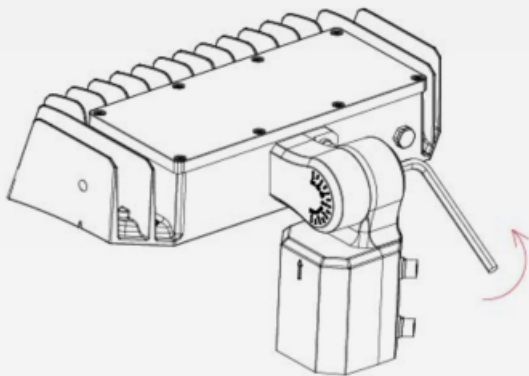
1. Loosen the screw used to fix the upper and the lower mount in rotating shaft by Hexagon wrench.



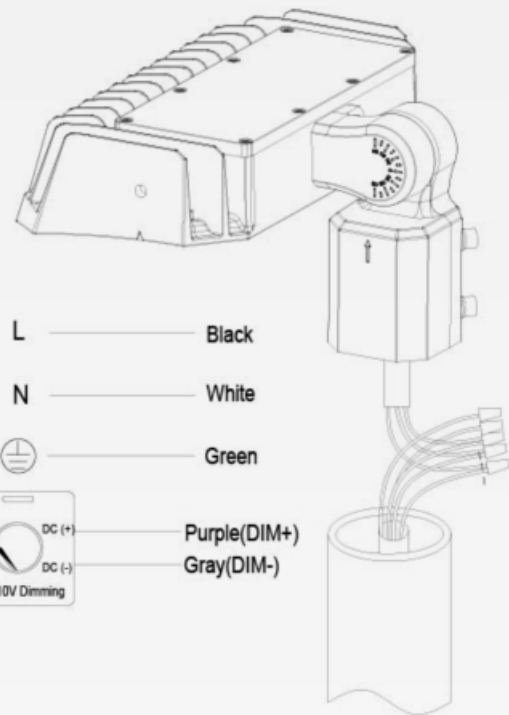
2. Rotate the bracket to proper Angle.



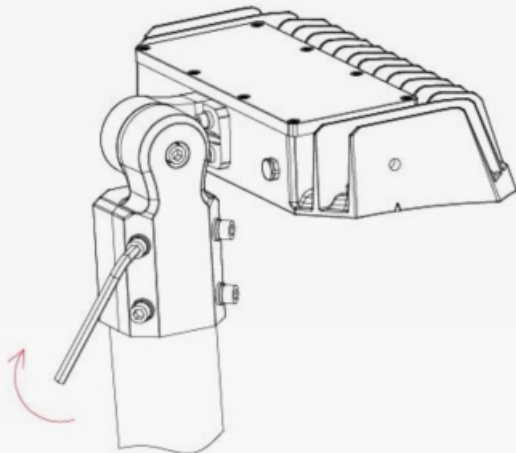
3. Lock the upper and lower brackets by Hexagon wrench.



4. Connect wires.



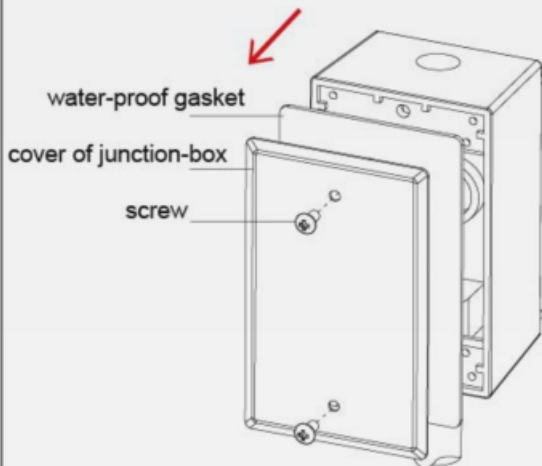
5. Fix the bracket to lamp pole by hexagonal wrench.



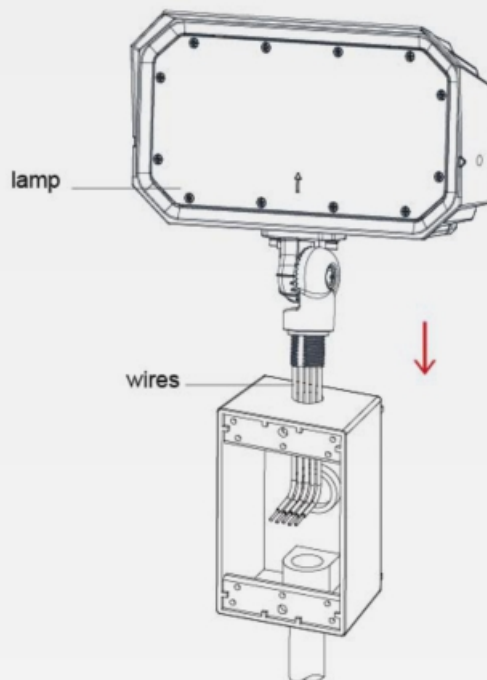
Notice: The maximum diameter of lamp pole is  $\phi 60$ , lamp adjustable angle is 0-90°.

**Installation Instruction (Kunckle):**

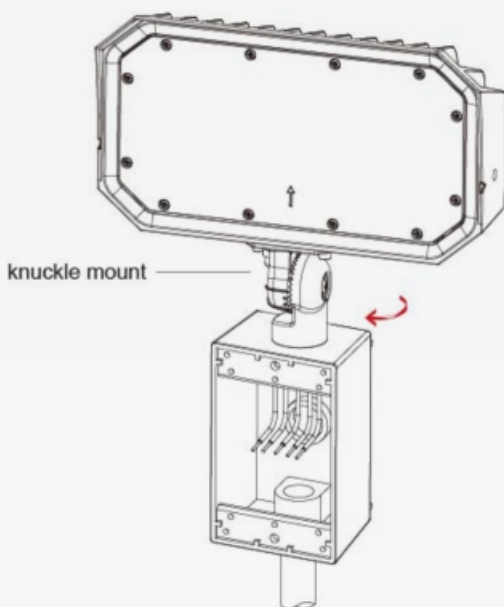
1. Use screw key to open the junction-box.



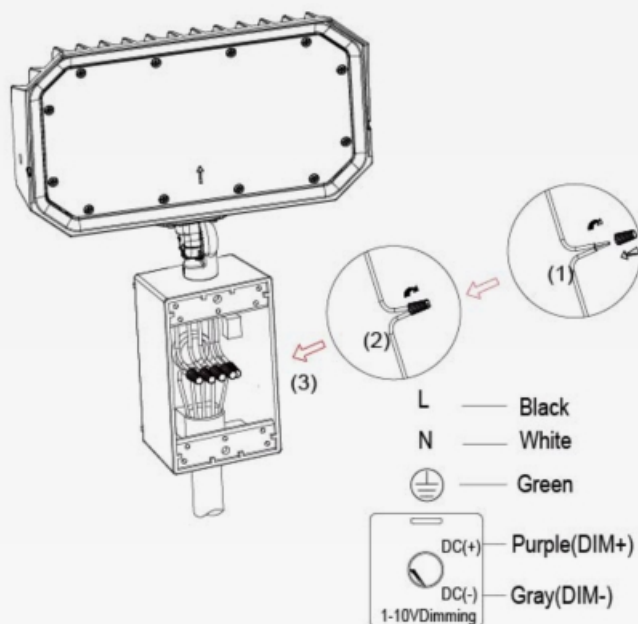
2. Put the wires of lamp into the junction-box.



3. Screw up the knuckle mount into junction-box.



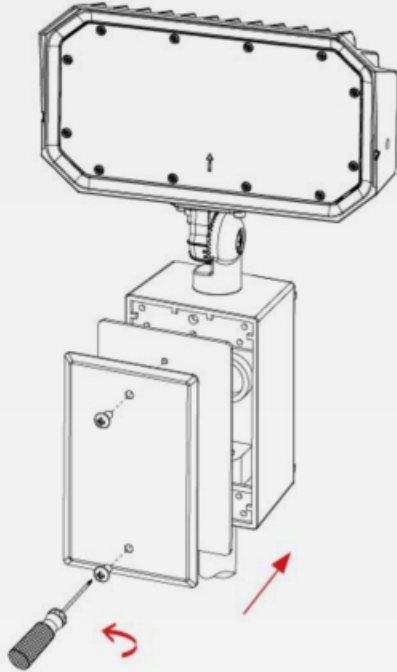
4. Use wire-nuts to connect the wires of lamp and junction-box



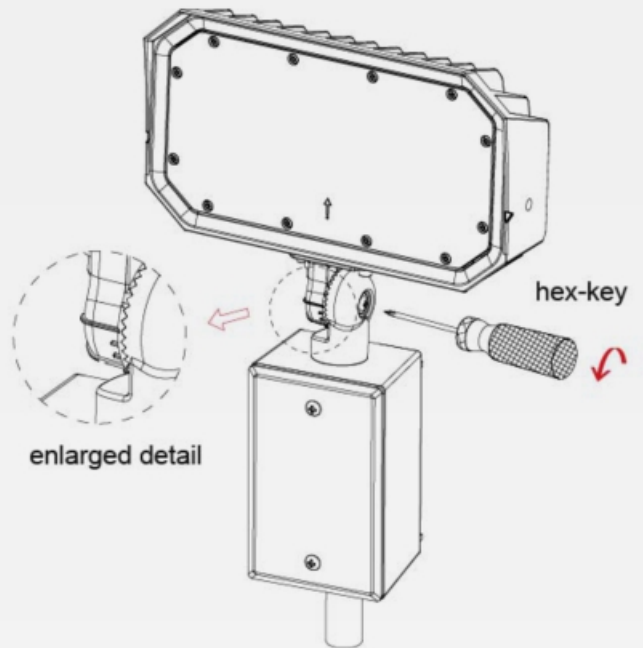
**SPECIFICATION**

**NEXLEDS<sup>®</sup>**  
NEXLEDS LTD

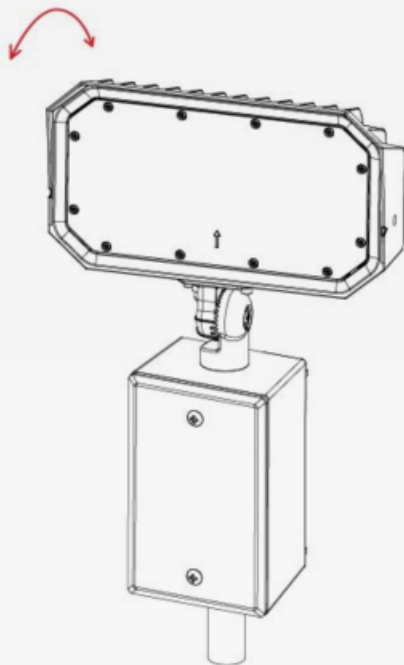
5. lock the junction-box with screw key



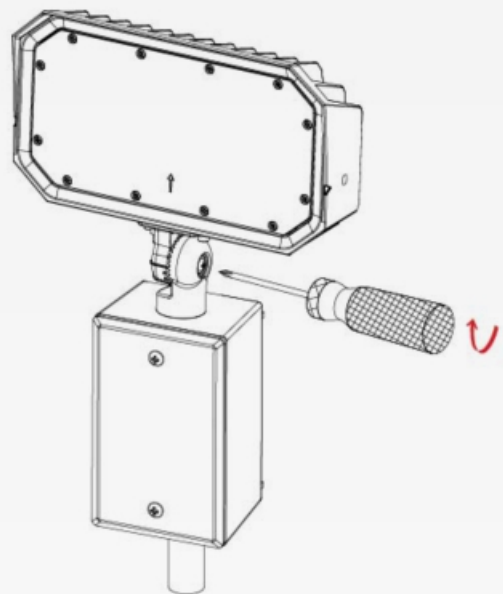
6. Use hex-key to screw off the hex-screw in knuckle mount.



7. Adjust the lamp into suitable angle.

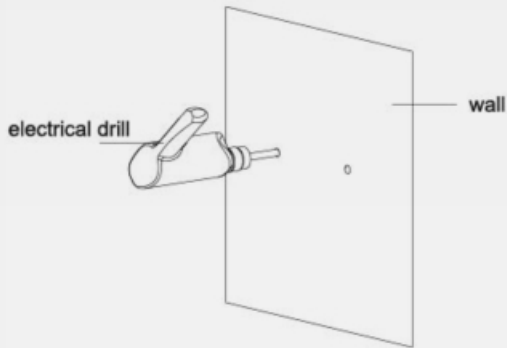


8. Use hex-key to screw up the hex-crew. Installation completed.

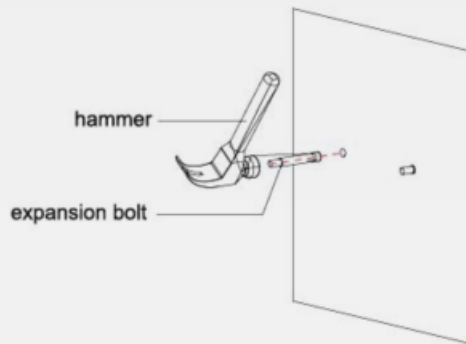


**Installation Instruction (Yoke):**

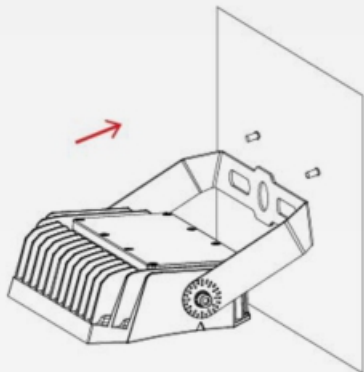
1. Mark the position of the fixing holes with foold light bracket, then drill the fixing holes



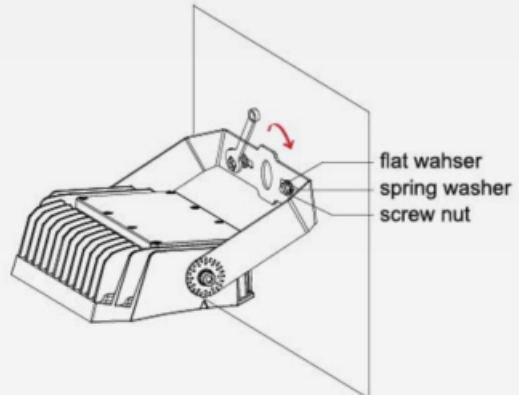
2. Drive in the bolts to the pre-drilled holes with thread outside, as the below pic indicate.



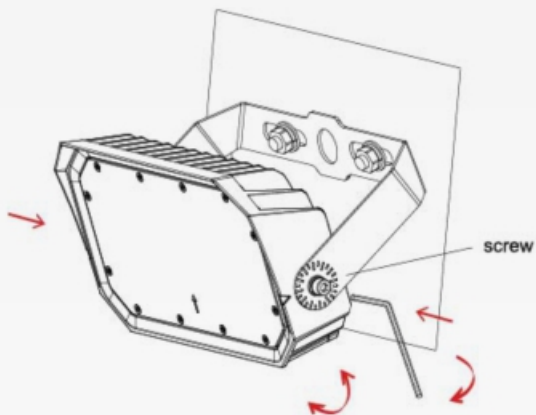
3. Make the bracket face tightly to the wall through the thread.



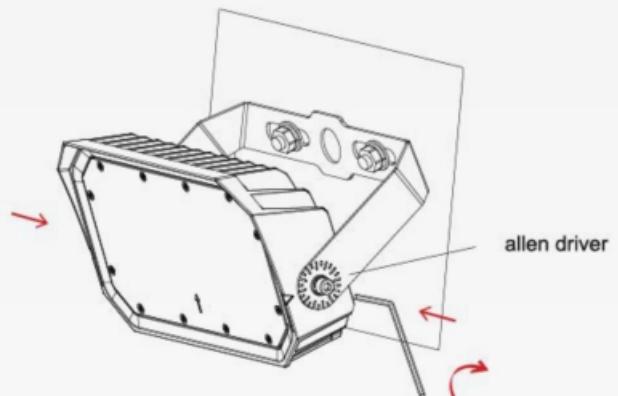
4. Fasten the screw nut clockwise with provided hardware by wrench.



5. Rotate the light to the proper angle and fasten the screws.



6. Fasten the screw both sides with allen driver.



# SPECIFICATION



## Packing / Weight (Do not pass drop test):

Power	Inner box (L*W*H)	Outer box (L*W*H)	Qty/Ctn (pcs)	N.W/pcs (lbs)	G.W/Ctn (lbs)	Type	Remarks
150W	17.24"*5.71"*12.48" (348*145*317mm)	17.3"*18.03"*13.66" (405*458*347mm)	3	9.52	31.43	Yoke	0.5m
	16.46"*5.91"*17.05" (418*150*433mm)	18.9"*17.24"*18.23" (480*438*463mm)	3	10.47	34.93	Slip-fitter	0.5m
	16.46"*5.91"*14.96" (348*145*317mm)	18.9"*17.24"*16.14" (480*438*410mm)	3	9.28	30.1	knuckle	016m
100W 90W 70W	15.2"*5"*11.4" (387*127*290mm)	26"*15.8"*12.2" (660*402*310mm)	5	6.83 (90W/100W) 6.17 (70W)	41.44 (90W/100W) 38.2 (70W)	Yoke	0.5m
	14.05"*5"*15.7" (357*127*399mm)	26"*14.6"*16.5" (660*372*420mm)	5	7.71 (90W/100W) 7.05 (70W)	45.85 (90W/100W) 42.55 (70W)	Slip-fitter	0.5m
	14.05"*5"*13.6" (357*127*346mm)	26"*14.6"*14.4" (660*372*366mm)	5	6.5 (90W/100W) 5.88 (70W)	39.68 (90W/100W) 36.59 (70W)	knuckle	0.16m
50W	9.37"*2.6"*8.8" (238*67*224mm)	19.4"*13.9"*9.64" (492*355*245mm)	10	2.86	36.82	knuckle	0.16m
	10.2"*2.6"*8.03" (260*67*204mm)	21.1"*13.9"*8.82" (535*355*224mm)	10	3.08	38.8	Yoke	0.5m
30W	7.4"*2.4"*7.6" (188*60*193mm)	15.4"*12.6"*16.1" (392*320*410mm)	20	1.63	44.75	knuckle	0.16m
	8.15"*2.4"*6.7" (207*60*171mm)	16.9"*12.6"*14.1" (430*320*358mm)	20	1.85	49.38	Yoke	0.5m
15W	5.51"*2.2"*6.46" (140*55*164mm)	17.2"*11.6"*13.86" (438*295*352mm)	30	1.12	46.96	knuckle	0.16m
	6.1"*2.2"*4.72" (155*55*120mm)	12.8"*11.6"*15.2" (325*295*385mm)	30	0.99	42.99	Yoke	0.5m



## Product Applications:



## Note:

1. Only persons qualified for electrical work should carry out the electrical work;
2. Please cut off the power supply in any abnormal situation;
3. Please clean the floodlight shell termly;
4. Please do not wipe with water or caustic solution;
5. Be sure to ground the fixture;
6. Be careful when using and storing;
7. Avoid high pressure.